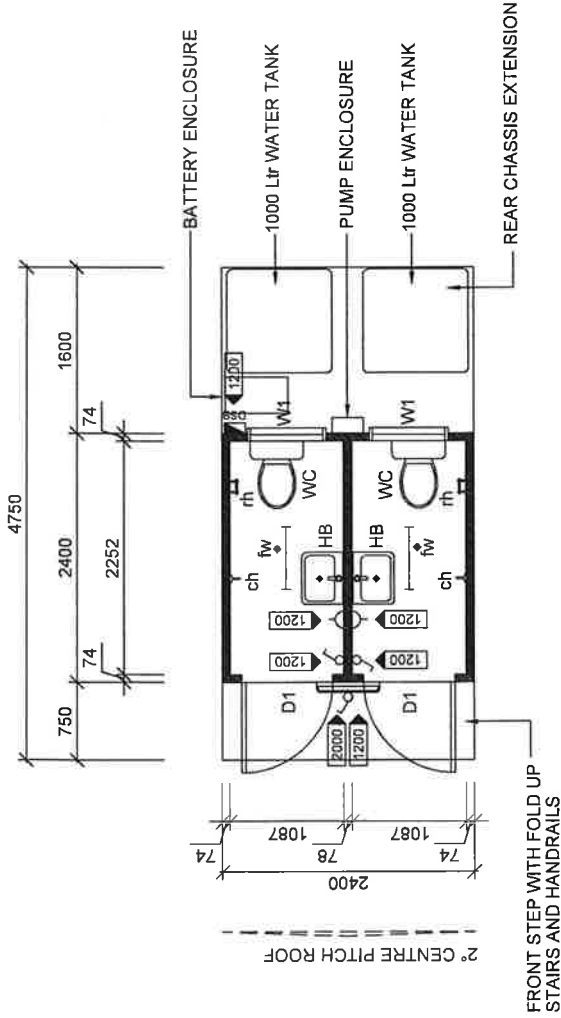


CONSTRUCTION DRAWING



4.75x2.4m Solar Toilet - Floor Plan

Scale 1:50

Colour Schedule

External	
Cladding	Surfmist
Roof	Zincalume
Flashings	Surfmist
Capping	Surfmist
Doors	Surfmist
Windows	White

Internal	
Vinyl (R10)	Grey
Walls	Grey
Ceiling	White

PROJECT NUMBER: PJF-181

SERIAL NUMBER: SN.0425

CLIENT APPROVAL

Signature:

Date:

Rev.	Description	Date	By
1	Approved For Construction	01/03/13	BW



THIS DRAWING AND DESIGN IS THE SOLE PROPERTY OF TRANSBUILD BUILDINGS AUSTRALIA PTY LTD (TAS TRANSBUILD, ABN 45 082 023 354). IT MAY NOT BE REPRODUCED, COPIED WHOLE OR IN PART WITHOUT WRITTEN AUTHORITY.

CLIENT	DATE
PRIME RENTALS	01/03/13
TITLE	SCALE
4.5x2.4m SOLAR TOILET	1:50
DESIGN WIND LOAD	CHECKED
C2 - CYCLONIC	BW
DRAWING NUMBER	REVISION
SQF-1469-02-01	1
SHEET SIZE	
A3	

Item List

Item	Qty	Description
D1	x(2)	2040x880mm External Metal Clad Door With Door Closer
W1	x(2)	300x750mm Obscure Glass Vented Window
WC	x(2)	Toilet Pan With Dual Flush Cistern - 'P' Trap
HB	x(2)	Stainless Steel Hand Basin - Cold Only, Mirror Over (Basin Waste - 'P' Trap Through Rear Wall Of Building)
rh	x(2)	Roll Holder
ch	x(2)	Coat Hook
fw	x(2)	Floor Waste

Electrical Legend

Icon	Qty	Description
	x(1)	Tails Only - For Switchboard
	x(3)	Tails Only - For Light Switch
	x(2)	Tails Only - For Single GPO
	x(2)	Tails Only - For Light Fitting
	x(1)	Tails Only - For External Light

Notes

- Timber Frame Construction
- 2100mm Internal Ceiling Height
- Coved (R10) Slip Resistant Vinyl Flooring In Wet Area
- Plumbing Harnesses 'P' Trap To Single Connection Point
- * Water Tanks, Pump, Solar Panels, Battery etc - By Transbuild